

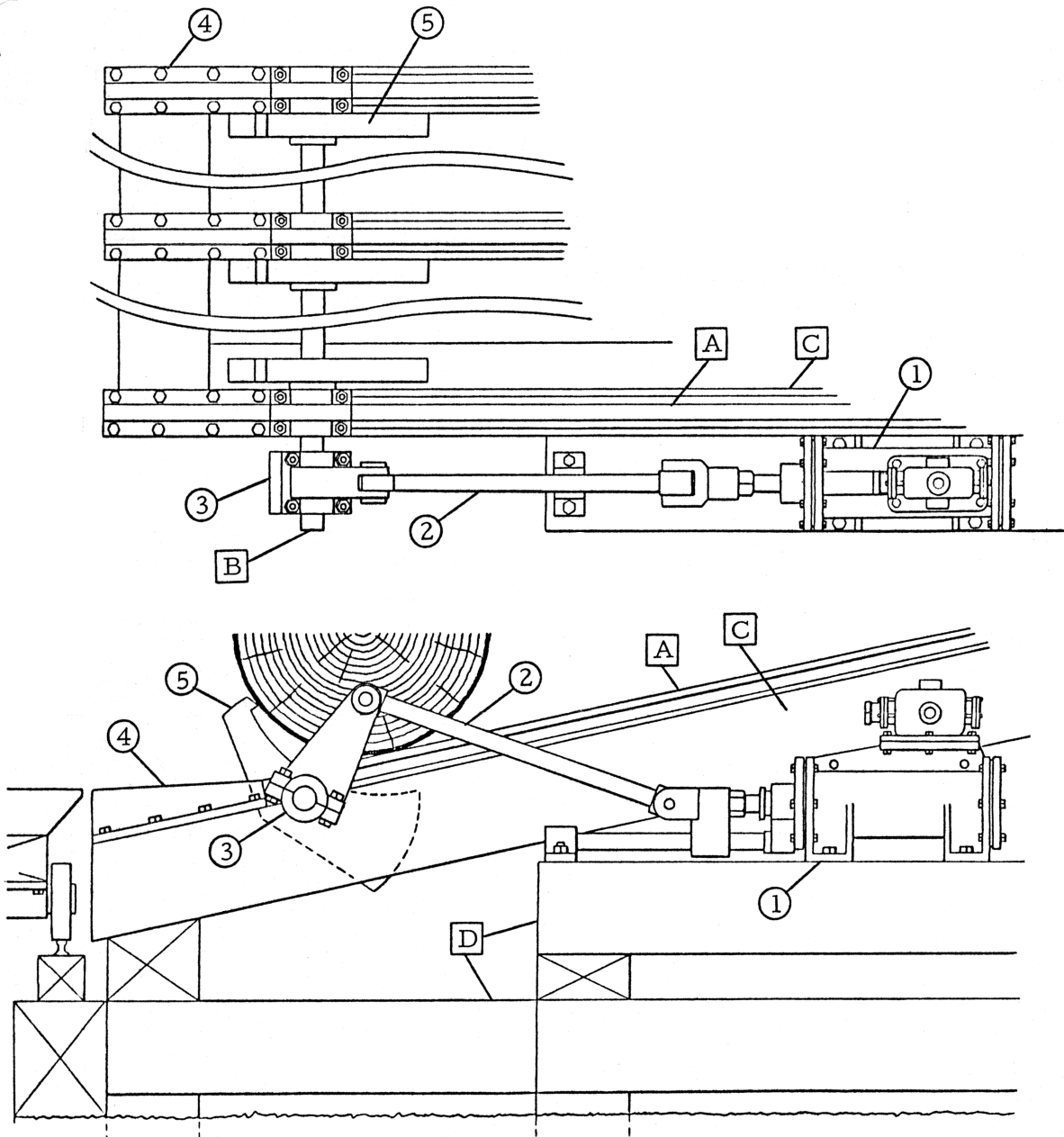
## WP-908 Log Deck

### WP-908 Parts Provided:

1. Steam Cylinder (2)
2. Connecting Rod (2)
3. Crank
4. Bearing (3)
5. Log Stop (3)
6. Bell Crank
7. Pillow Block
8. Log Kicker

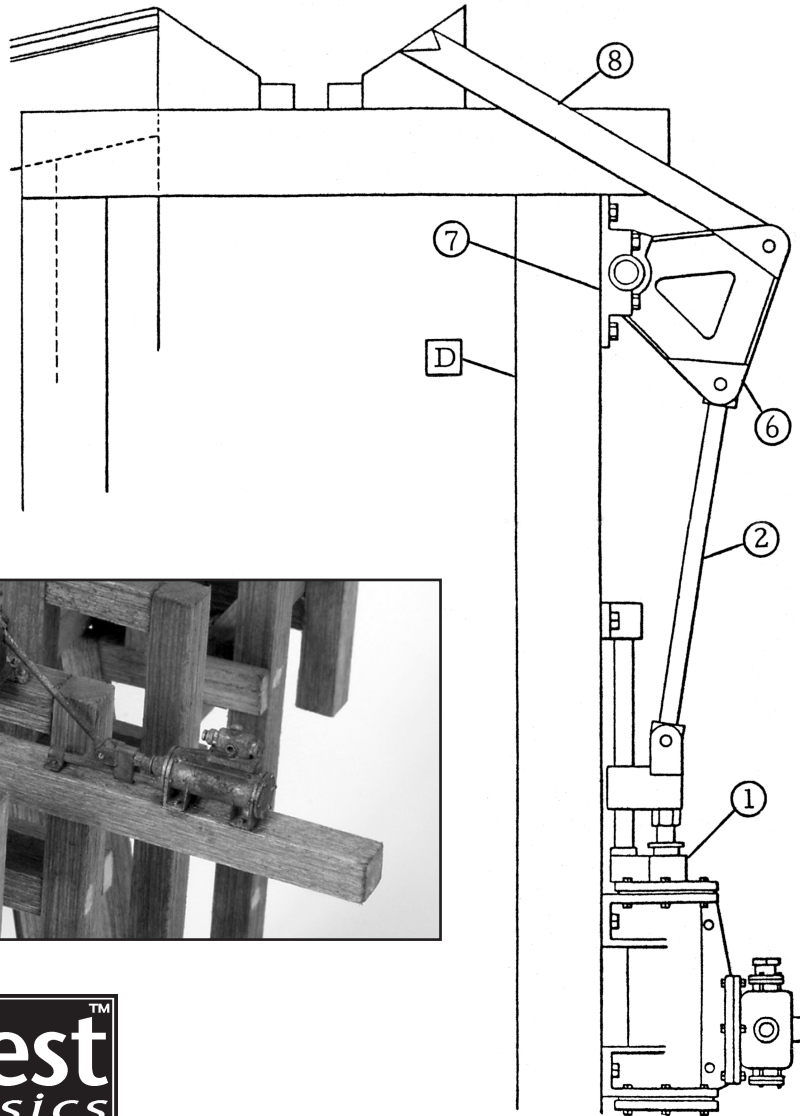
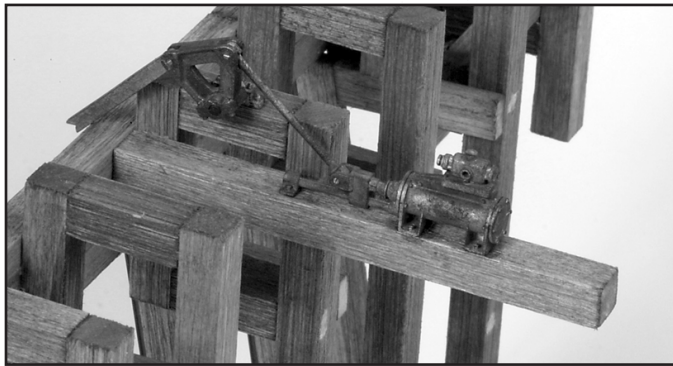
### Additional Items Needed:

- A. Code 70 Rail
  - B. Stop Shaft  $\frac{1}{16}$ " Brass Rod
  - C. 6" x 12" Stripwood
  - D. 12" x 12" Stripwood
- Connecting rod, crank and bellcrank pins - .032" Brass Wire  
Bellcrank Pivot -  $\frac{1}{16}$ " Brass Rod



P.O. Box 250088  
 Plano, Texas 75025  
 972-618-5563  
[sierrawestscalemodels.com](http://sierrawestscalemodels.com)

©2003 SierraWest Scale Models  
 Original C.H.B. Models drawings by Charles H. Brommer.  
 Supplemental templates by Brett Gallant.



**SierraWest**<sup>TM</sup>  
*O Scale Classics*

