

Overhead Belt Drive and Shaft Layout

for double blade husk
formerly C.H.B. Models Kit WP-911

Parts Provided:

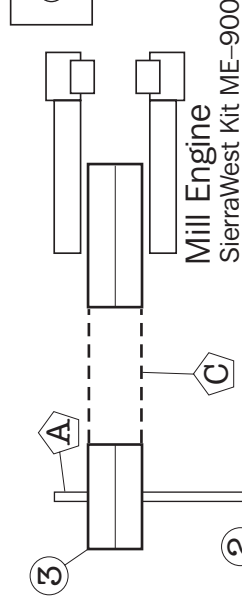
1. 12" x 24" Log Haul Drive Wheel
2. 18" x 36" Shaft Drive Wheel (4)
3. 30" x 60" Driven Wheel (2 pcs.)
4. 14" x 54" Edger Drive Wheel
5. 6" x 40" Cut-Off Saw Drive Wheel
6. 9" x 24" Live Roll Drive Wheel
7. 12" x 54" Husk Drive Wheel
8. 9" x 24" Log Turner Drive Wheel
9. Mitre Gears (2)
10. 3" Pillow Block (12)
11. 4-1/2" Pillow Block (10)

Additional Items Needed:

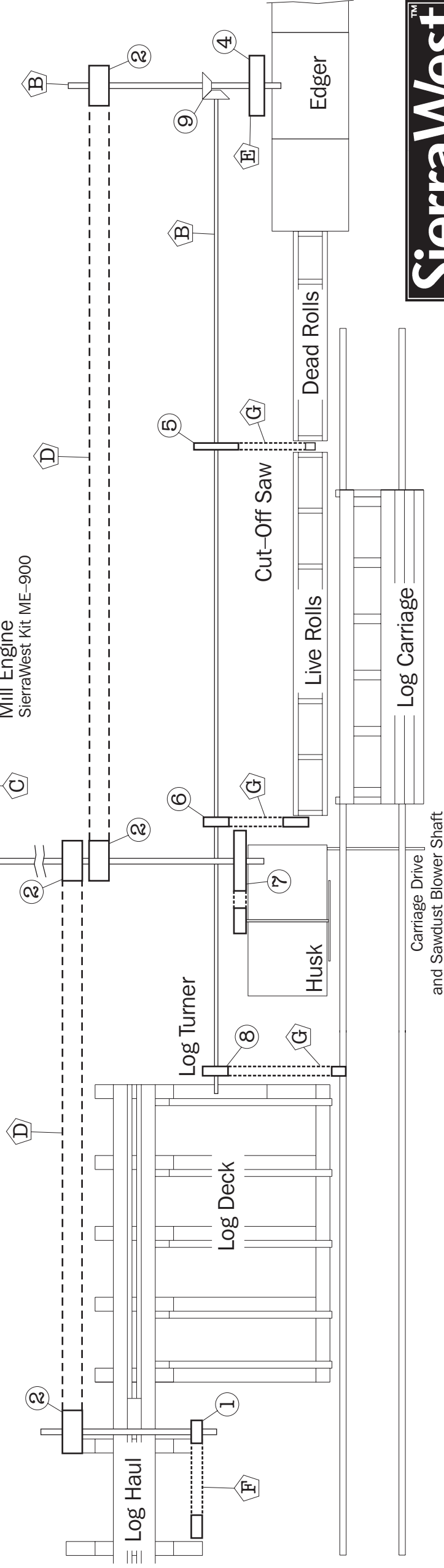
- A. Line Shaft - 3/32" Rod
- B. Line Shaft - 1/16" Rod
- C. 30" Line Shaft Drive Belt
- D. 18" Drive Shaft Belt
- E. 14" Edger Drive Belt
- F. 12" Log Haul Drive Belt
- G. 6" Drive Belt for Log Turner, Live Rolls, and Cut-Off Saw



Stationary Boiler
SierraWest Kit SB-850



Mill Engine
SierraWest Kit ME-900



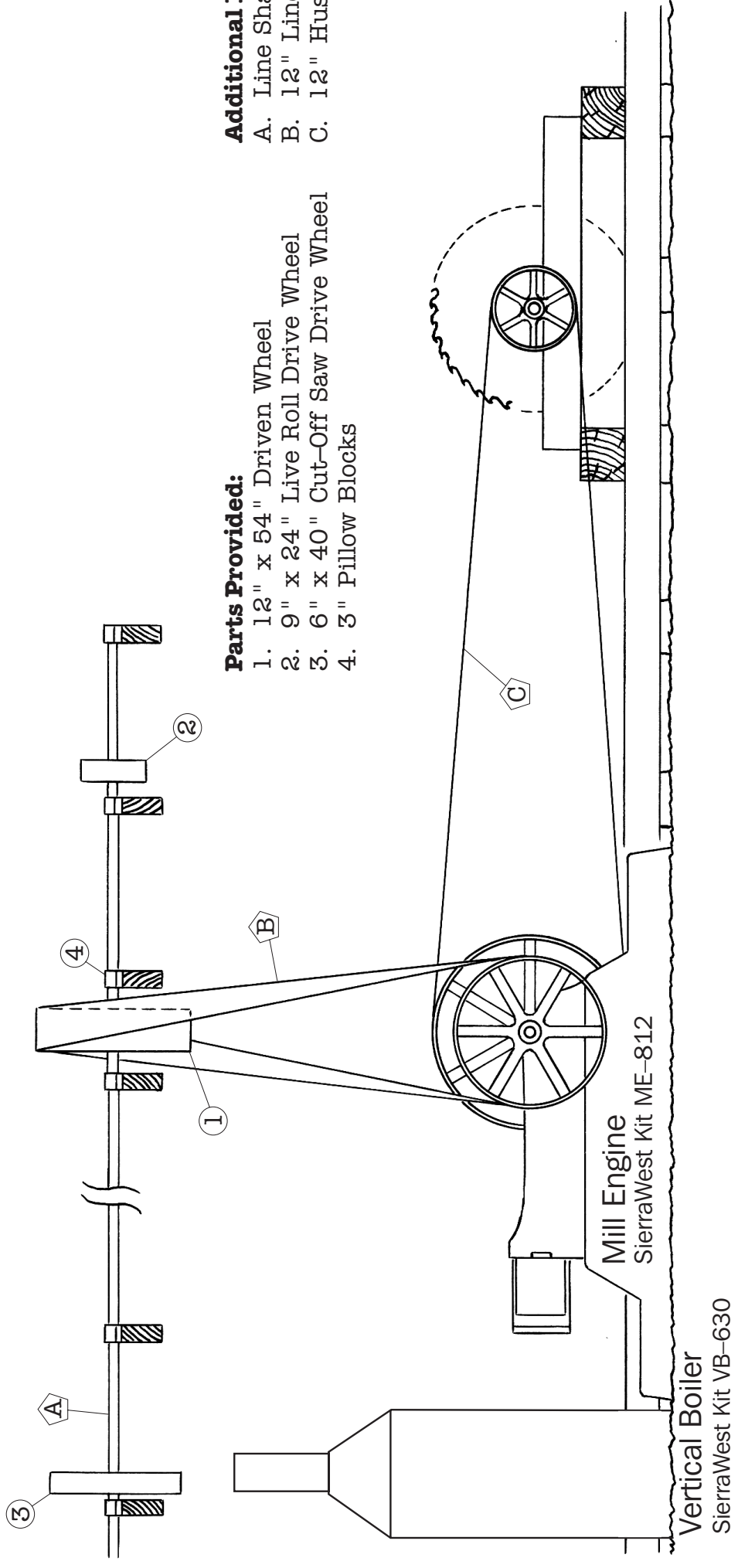
close to scale

SierraWest
Scale Classics™

©2004 SierraWest Scale Models

Overhead Belt Drive and Shaft Layout

for single blade husk



Parts Provided:

- 1. 12" x 54" Driven Wheel
- 2. 9" x 24" Live Roll Drive Wheel
- 3. 6" x 40" Cut-Off Saw Drive Wheel
- 4. 3" Pillow Blocks

Additional Items Needed:

- A. Line Shaft - 1/16" Rod
- B. 12" Line Shaft Drive Belt
- C. 12" Husk Drive Belt